



GEE GE STRUCTURALS PVT LTD

(Builders & Promoters)



Gee Ge's Premium Villa

**READY
TO
OCCUPY**



Site Address
Kamarajapuram, Vanavil Nagar,
Anagaputhur, Chennai - 75

C. Thenappan

9380607435 | 9790966630

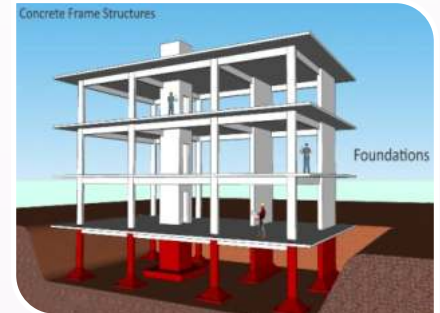
visit our location

Press Me

SPECIFICATIONS FOR INDIVIDUAL VILLA

Structure

- ▶ RCC framed structure with RCC foundation
- ▶ Anti-termite treatment
- ▶ 9 inches brickwork for outer wall and 4.5 inches brickwork for Internal partition wall.
- ▶ Ceiling height will be maintained at 10 feet slab to slab
- ▶ Foundation height is 3 feet from Ground level



Wall Finish

- ▶ Internal wall in the living, dining, bedrooms, kitchen and lobby will be finished with 2 coats of putty, 1 coat of primer, 2 coats of tractor emulsion
- ▶ Ceiling will be finished with cement paint
- ▶ Exterior front faces of the building will be finished with Asian Apex Durocross texture paint with 1 coat of primer and 2 coats of Ultima.
- ▶ Exterior other three sides of the building will be finished with 1 coat of primer, and 2 coats of ACE.
- ▶ Utility & toilets will be finished with 2 coats of putty, 1 coat of primer and 2 coats of cement paint.
- ▶ Toilet walls will be finished with glazed ceramic tiles up to lintel from finished floor level.
- ▶ Kitchen dado tiles up to 2 feet height from granite slab

SPECIFICATIONS FOR INDIVIDUAL VILLA

Flooring

- ▶ Living, dining, kitchen and bedrooms will have 2 X 2 feet vitrified tile flooring at cost of Rs.35/- per sqft
- ▶ Toilet will have Anti skid ceramic tile flooring at the cost of Rs.24/-per sqft
- ▶ Bathrooms, balcony will have rustic finish ceramic tile
- ▶ Driveway and other areas will be laid with parking area tile
- ▶ Staircase will have Granite
- ▶ Terrace-floor will have Red kerala type tiles with vermiculite for cooling.



Kitchen

- ▶ Platform will be done with granite slab 2 feet wide at a height of 32 inches from the floor level and will be provided with stainless steel sink with drain board
- ▶ Providing Faber chimney and Faber hob with suction power 1100 m³/Hr
- ▶ Provision for water purifier
- ▶ CP fittings will be Parryware



BathroomS

- ▶ One Parryware wash basin in a convenient space.
- ▶ Floor mounted Parryware W/C with health faucet.
- ▶ Concealed Parryware wall mixer.
- ▶ Provision for geyser.
- ▶ CP fittings will be Parryware.



SPECIFICATIONS FOR INDIVIDUAL VILLA

Entrance Door

- ▶ Main door will be of Teak wood of 7 feet height with tower bolt, door viewer, safety latch, door stopper and Godrej or equivalent lock

Bedroom Door

- ▶ Good quality water- proof flush door with WPC frame of 7 feet height having good quality locks.



Balcony Door

- ▶ Water proofing door of 7 feet height having Tower bolt, handle with good quality lock , door stopper etc.

Bathroom Door

- ▶ Chemically treated doors of 7 feet height with enamel finish.



Windows

- ▶ UPVC panel with see-through pin headed glass. and MS grills on inner side
- ▶ UPVC French doors with toughened glass will be provided with grills
- ▶ For ventilators, UPVC frame and suitable louvered.



Electrical Fittings

- ▶ Orbit cables and wiring
- ▶ Switches and sockets will be Orbit
- ▶ Telephone and DTH provision will be provided in living room
- ▶ Air-conditioner points will be provided in all bedrooms
- ▶ Modular plate switches, MCB and ELCB (Earth leakage circuit breaker) System
- ▶ Electrical Fittings : Fan 1 No , Tube Light 6 No, Fancy Light 4 Nos.



SPECIFICATIONS FOR INDIVIDUAL VILLA

- ▶ Hall : Two fan points , Three Light points , Two 5 amps plug points, one T.V point, one Telephone point and inverter point.
- ▶ Bedrooms : One fan point ,A/c point in both
- ▶ Bedrooms and one 5 amps Plug point.
- ▶ Kitchen : One fan point , Two Light points , One 5 amps and One 15 amps Plug point.
- ▶ Dining point : One fan point , Two Light points , One 5 amps Plug point.
- ▶ Toilet : One Light and one 15 amps Plug point.

Others

- ▶ Overhead Tank for borewell and Sump water each of 1000 Ltrs Capacity
- ▶ Sump capacity of 8000 Ltrs.
- ▶ S.S Handrails in Staircase.
- ▶ Safety grill gate for all main doors
- ▶ Safety grill gate for terrace.
- ▶ Inverter Provision



External Feature

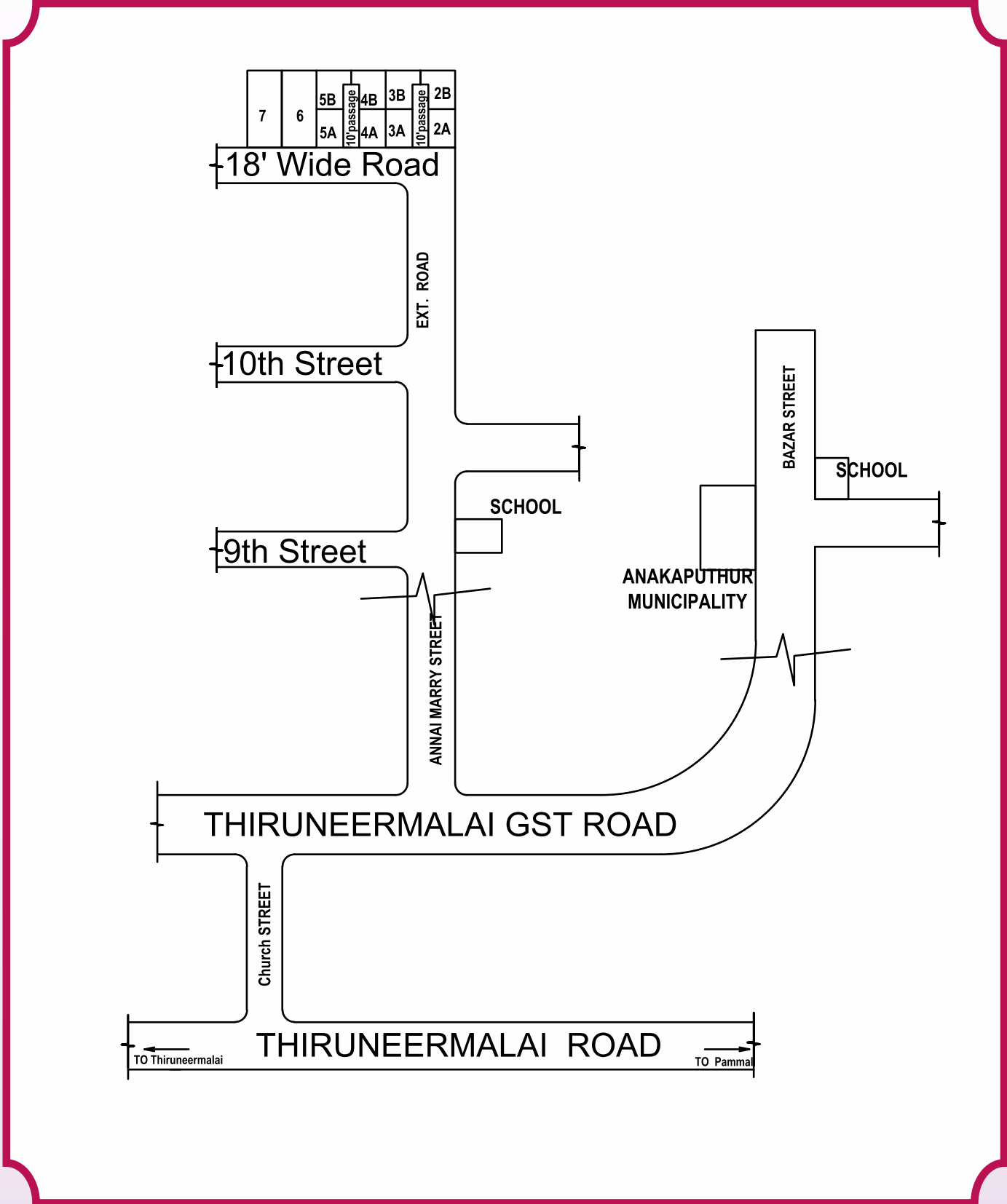
- ▶ Power Supply: power supply will be provided

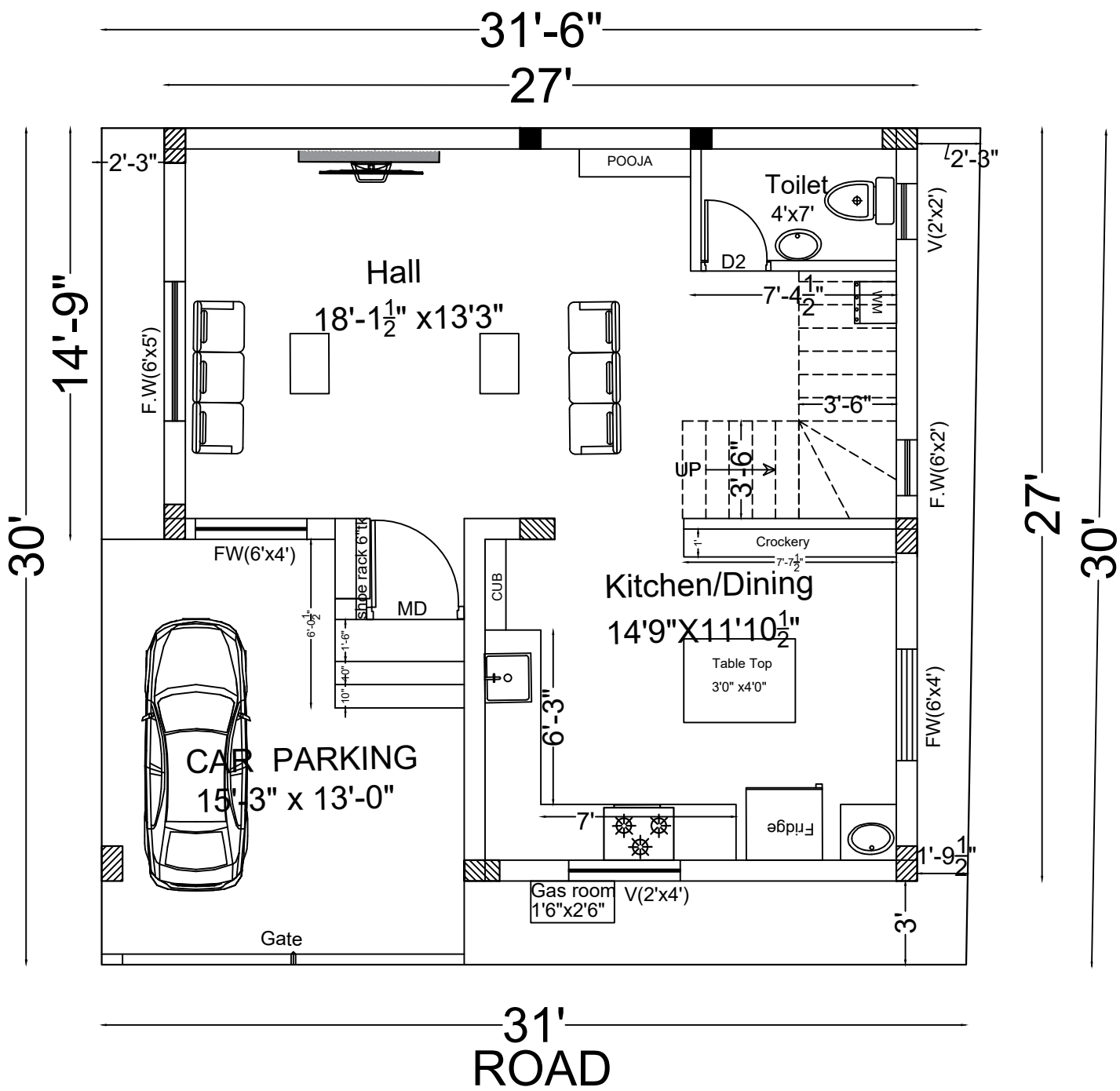
Special Features

- ▶ Easy access to Chennai International Airport , Railway station, bus stand and Hospitals .
- ▶ 24 hours Ground water Supply.
- ▶ Car parking facility.
- ▶ Close proximity to leading schools
- ▶ Followed by the Ancient Science of ' Vaastu ' and its benefits.
- ▶ Design and location of Furniture, Electrical fittings and Toilet fixtures are preplanned to use the available space effectively and efficiently.
- ▶ All bedrooms are provided with Built-in wardrobes and lofts.
- ▶ Loans arranged through all leading financial Institutions ... SBI, HDFC and LIC



KEY PLAN





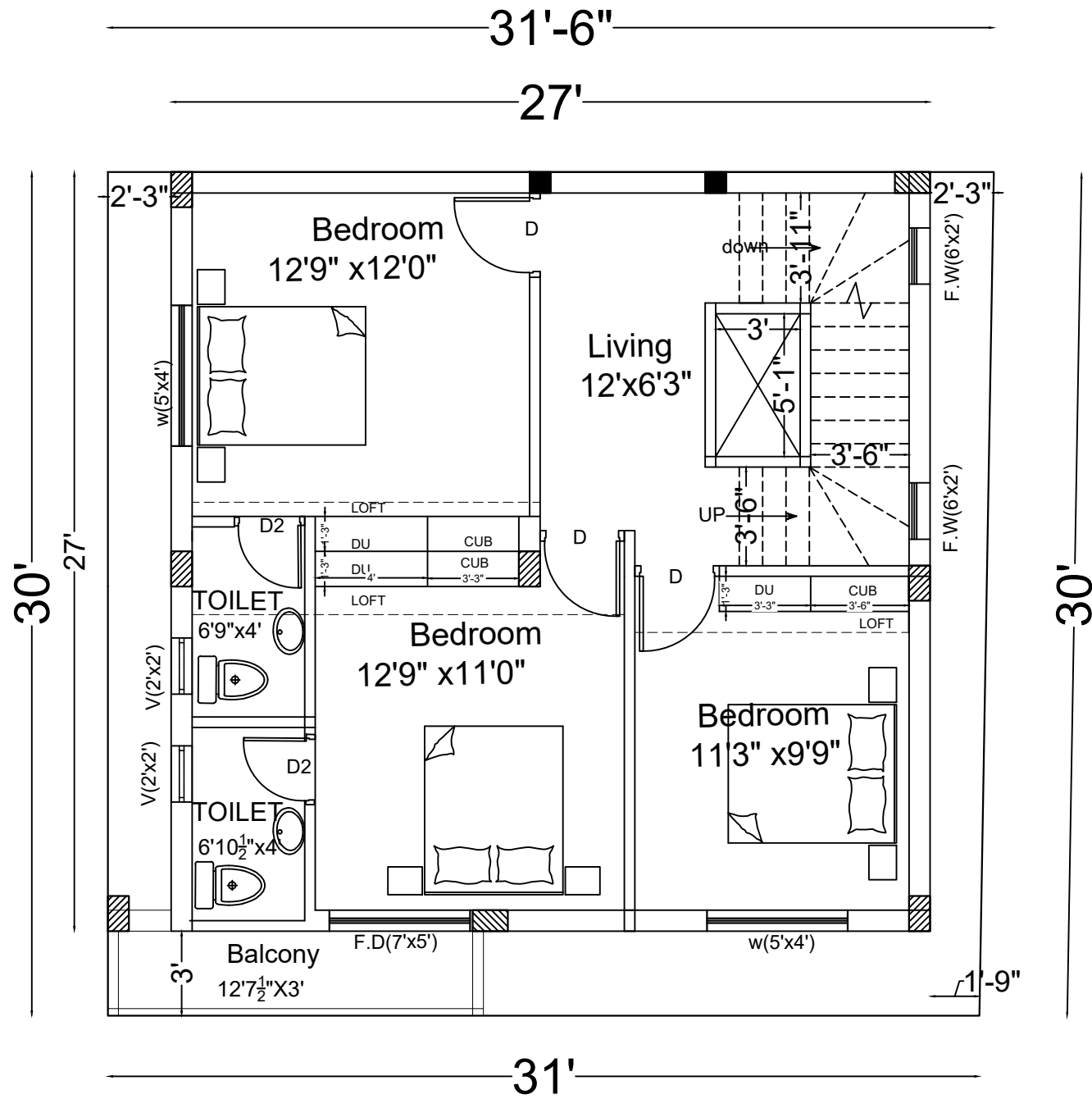
Drawing Reference

Drawing Details
PLOT NO 2A
Ground Floor

Area Details
 Land Area 943Sft
 Built Up Area- 796sft

SITE @
 Plot No 2A,
 Vanavil Nagar,
 Anagaputhur,
 Chennai.

Drawn on 25.08.2023
 Gee Ge Structurals



Drawing Reference

Drawing Details

**PLOT NO 2A
First Floor**

Area Details

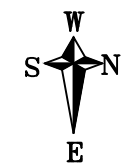
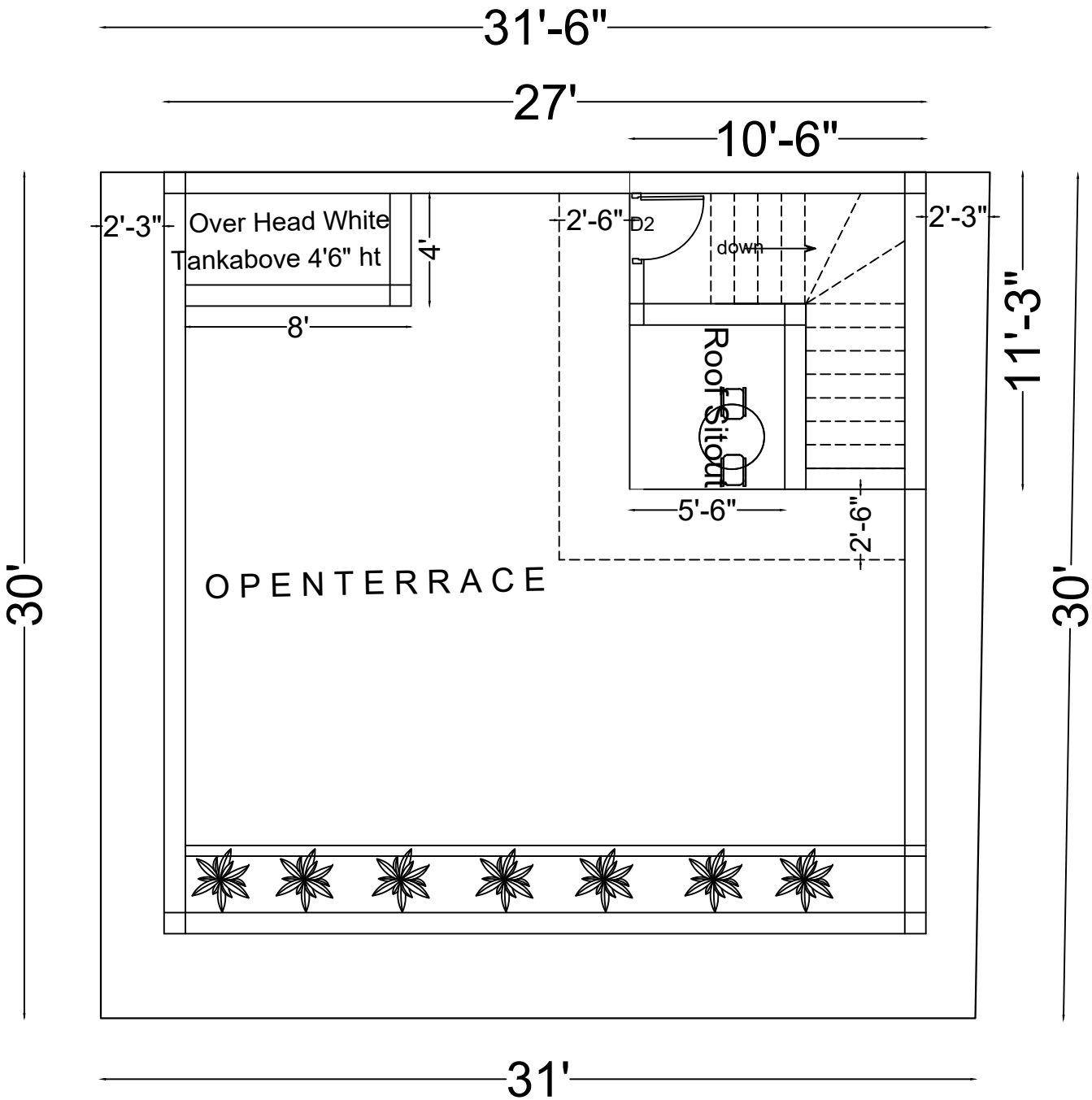
Land Area 943Sft

Built Up Area- 771sft

SITE @

Plot No 2A,
Vanavil Nagar,
Anagaputhur,
Chennai.

Drawn on 25.08.2023
Gee Ge Structurals



Drawing Reference

Drawing Details

**PLOT NO 2A
Terrace Floor**

Area Details

Land Area 943Sft

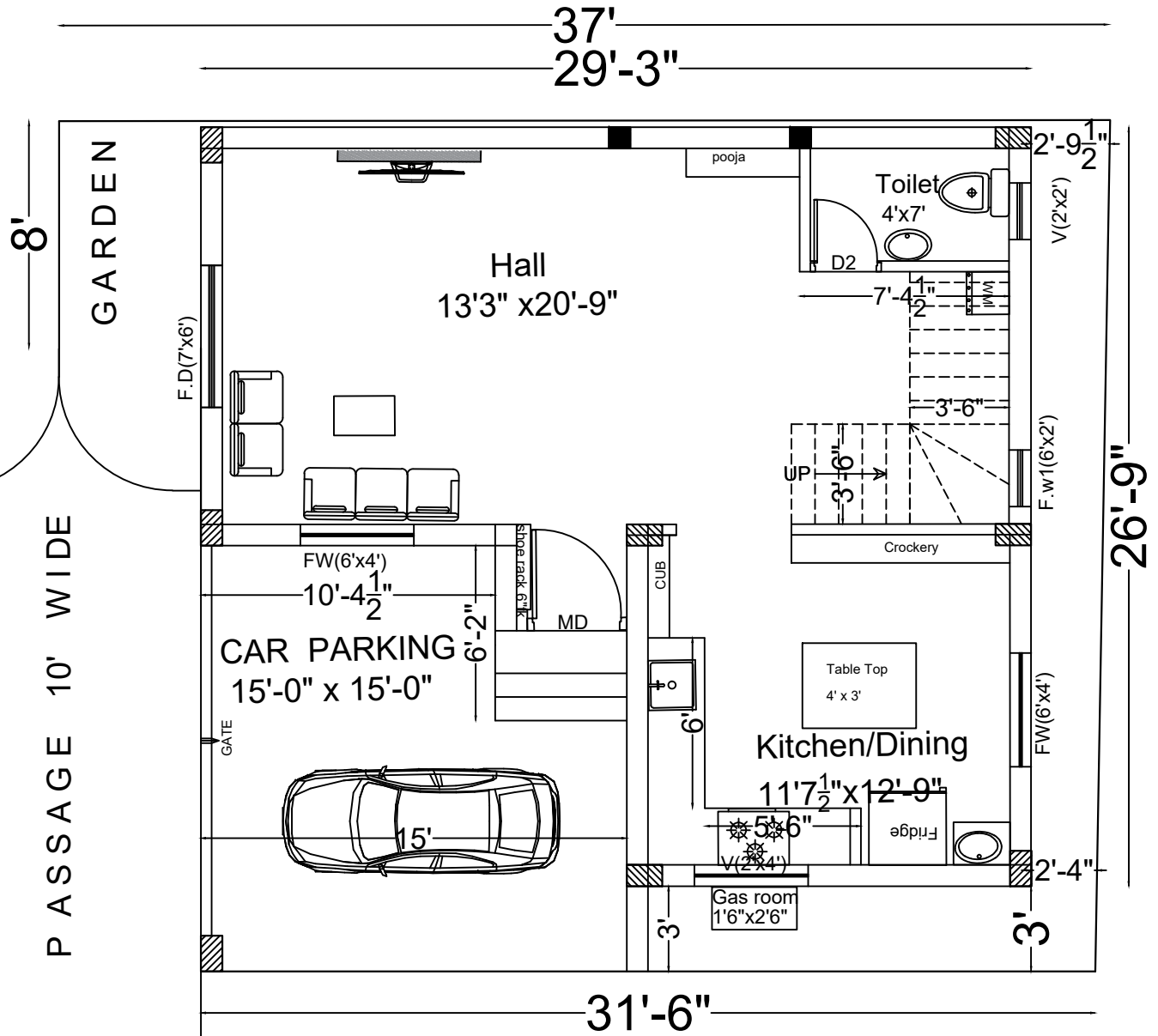
Built Up Area- 118sft

SITE @

Plot No 2A,
Vanavil Nagar,
Anagaputhur,
Chennai.

Drawn on 25.08.2023

Gee Ge Structurals



Drawing Reference

Drawing Details

**PLOT NO 2B
Ground Floor**

Area Details

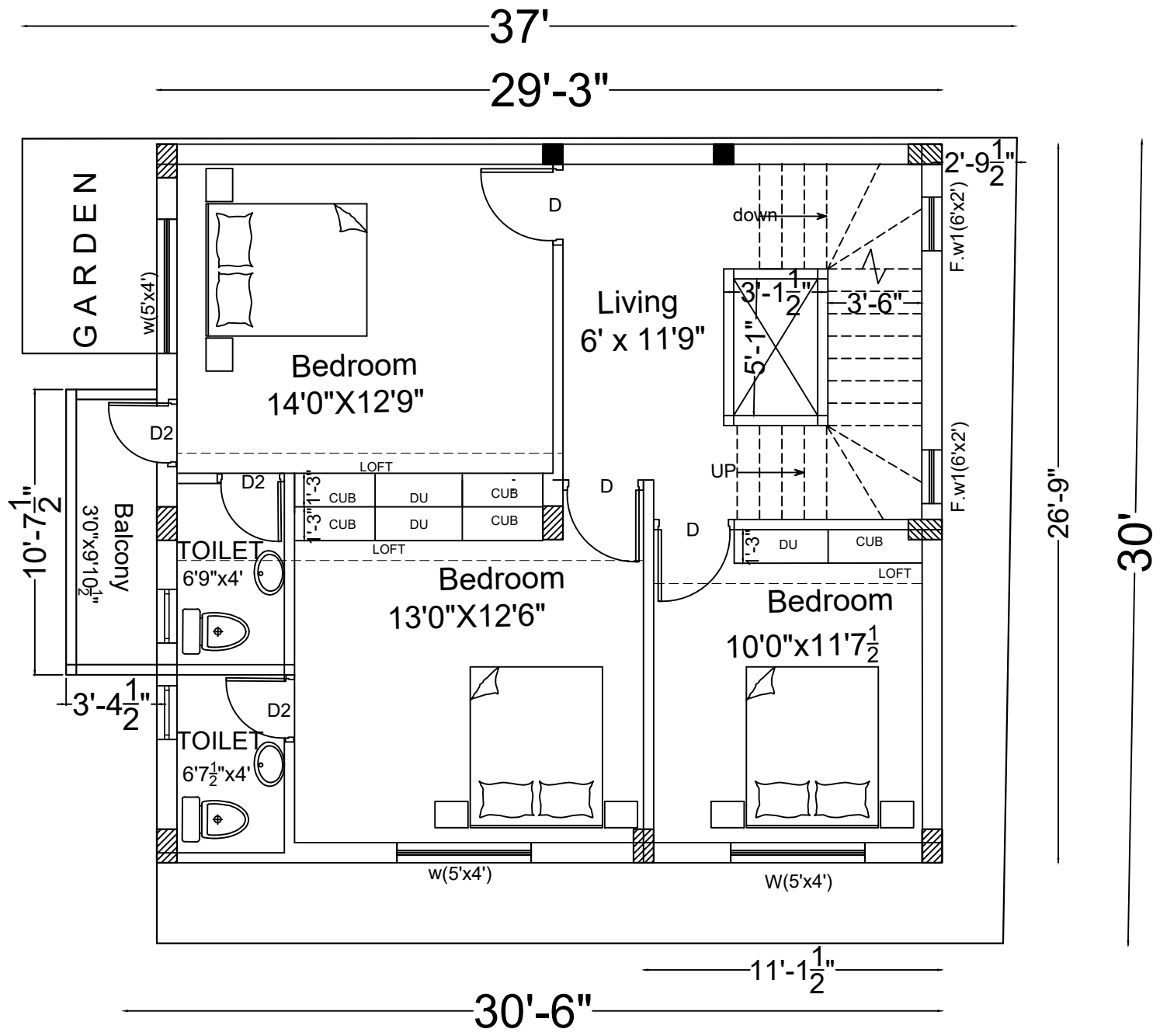
Land Area 1256Sqft

Built Up Area- 830sqft

SITE @

Plot No 2B,
Vanavil Nagar,
Anagaputhur,
Chennai.

Drawn on 06.03.2023
Gee Ge Structurals



Drawing Reference

Drawing Details

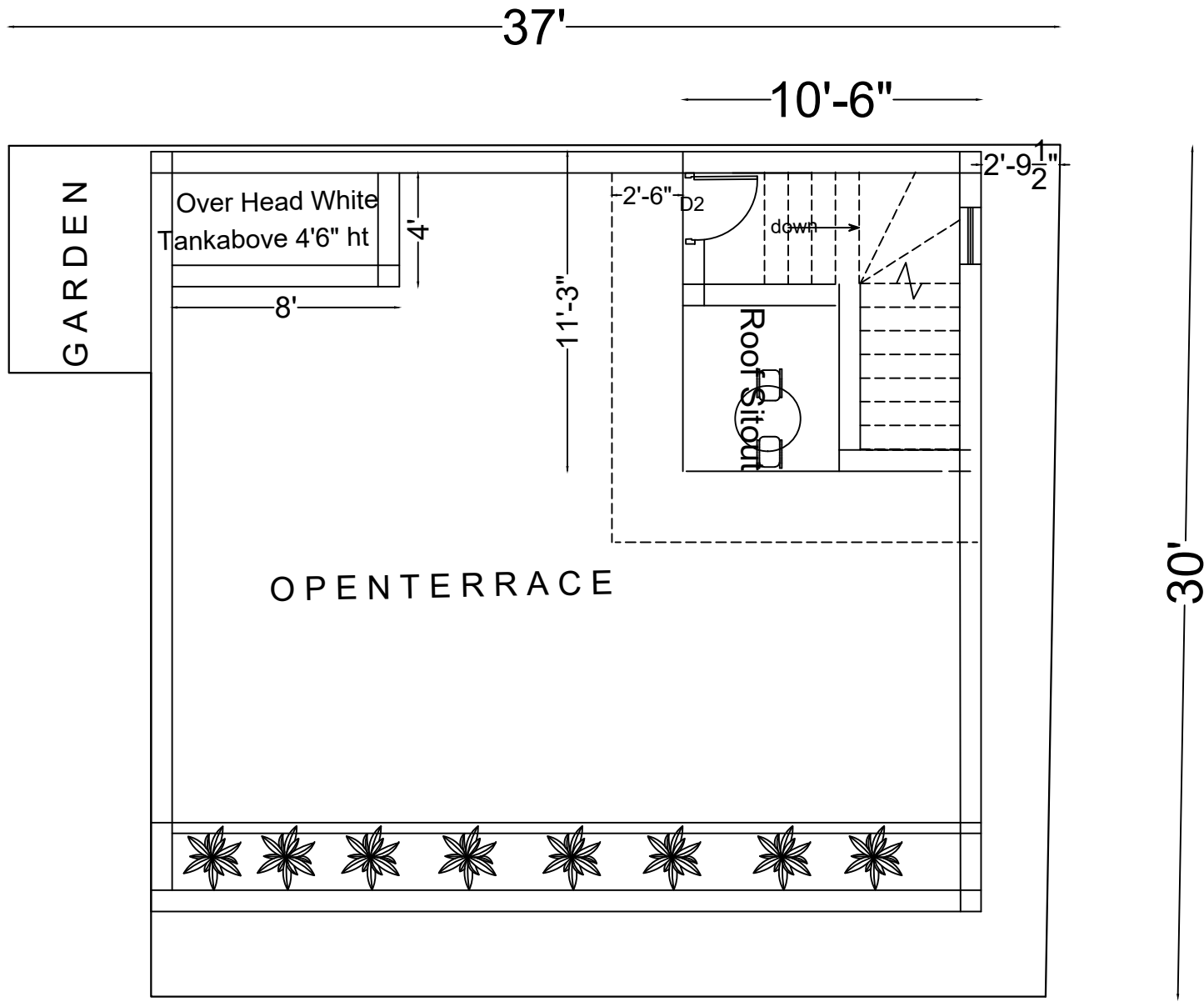
PLOT NO 2B
First Floor

Area Details

Land Area 1256Sft
Built Up Area- 818sft

SITE @
Plot No 2B,
Vanavil Nagar,
Anagaputhur,
Chennai.

Drawn on 06.03.2023
Gee Ge Structurals



Drawing Reference

Drawing Details

**PLOT NO 2B
Terrace Floor**

Area Details

Land Area 1256Sft

Built Up Area- 118sft

SITE @

Plot No 2B,
Vanavil Nagar,
Anagaputhur,
Chennai.

Drawn on 06.03.2023

Gee Ge Structural



GEE GE STRUCTURALS PVT LTD (Builders & Promoters)

GEE GE'S PREMIUM VILLAS

GEE GE STRUCTURALS PRIVATE LIMITED								
BUILDERS & PROMOTERS								
GEE GE PREMIUM VILLAS								
Guide Line Value	2500						Gee Ge Premium Villa Kamarajapuram, Vanavil Nagar, Pammal Chennai	
*INTERIOR WORKS INCLUDES :								
1).Modular kitchen with faber chimney and faber hob				4).Fan and Light Fittings				
2).Wardrobe			5).Bathroom Accessories					
3).Wooden Loft								
RATE DETAILS								
Plot No	Land Area Sqft	Built Up Area Sqft	Land Cost Rs	Construction Cost Rs	Registration Cost Rs	EB (3 Phase)	TOTAL	STATUS
2A	943	1730	2357500	7293925	928628	50000	10630053	Available
2B	1256	1734	3140000	7210952	991586	50000	11392538	Available
3A	912	1582	2280000	6711333	869220	50000	9910553	Available
3B	1167	1622	2917500	6740880	929254	50000	10637634	Available
4A	855	1498	2137500	6347833	823680	50000	9359013	Booked
4B	1200	1670	3000000	6939523	954557	50000	10944080	Booked
5A	930	1681	2325000	7098762	908139	50000	10381901	Available
5B	1185	1620	2962500	6743214	933514	50000	10689228	Available



VISIT OUR LOCATION

Press Me

Site Address

**Kamarajapuram, Vanavil Nagar,
Anagaputhur, Chennai - 75**



GEE GE STRUCTURALS PVT LTD
(Builders & Promoters)

No. 1 Kamarajar Nedun Salai, Muthamizh Nagar,
Pammal, Chennai-600 075

 **9380607435 | 9790966630**

 geegestructurals@yahoo.com  www.geegestructurals.in

visit our website

Press Me